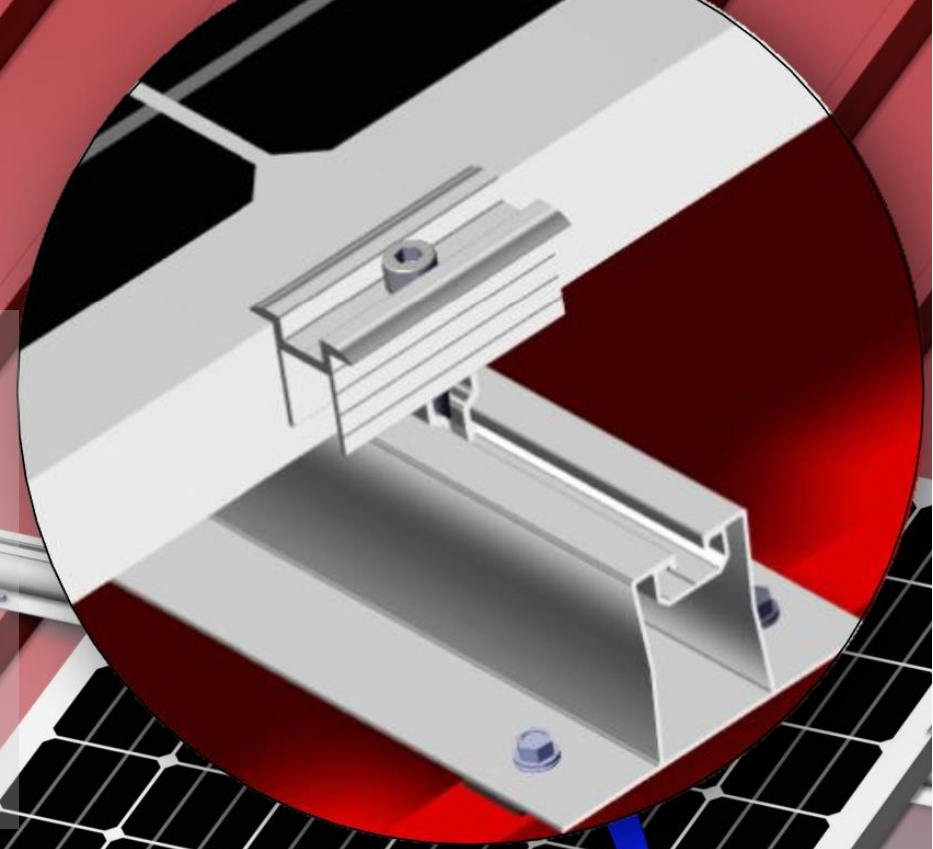


CON SOL

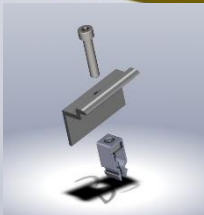
PV structure systems

Quick-fixture panel system for trapezoidal roofs

The system is suitable for all types of roofs with trapezoidal sheet. The system allows great positioning flexibility and mounting of the panels horizontally or vertically. Adequate distance between the roof and panels gives the system efficient cooling, which enhances the panel efficiency. Few components and the simple "Click" system make the system very simple and fast to mount.



Main



End clamp with »Click« system



Middle clamp with »Click« system



EPDM seal



Main profile



Self-tapping screw



EASY TO INSTALL

ADJUSTABLE



FAST

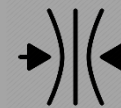


WARRANTY

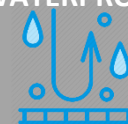


EFFICIENT COOLING

ADAPTABLE

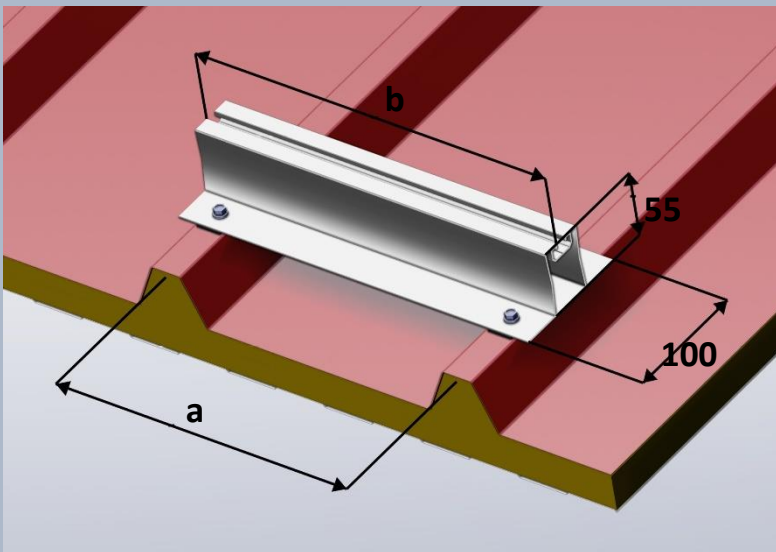


WATERPROOF



LIGHTWEIGHT





CONSOL TECHNICAL DATA

Application	On all angular roofs with trapezoidal panels
Roof types	All dimensions and angles
Fixture	Screwing on to the trapezoidal sheet
Panel orientation	Vertically or horizontally
Panel dimensions	The adaptable system is suitable for all types of panels
Max. snow load capacity	0 – 2,4 kN/m ² (with panels)
Max. wind speed	0-110 km/h → wind zones 1, 2 in 3
Material	Stainless steel – bolts and screws EPDM – Seal tape Aluminium – Profiles and »Click« system
Flexibility	Depends on the profile length

Profile length - a	Roof dimension - b
200	<20 cm
350	20 – 35 cm
450	35 – 45 cm

